

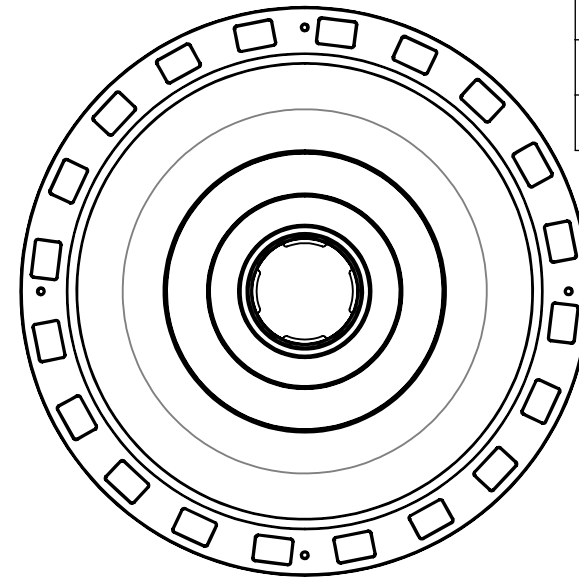
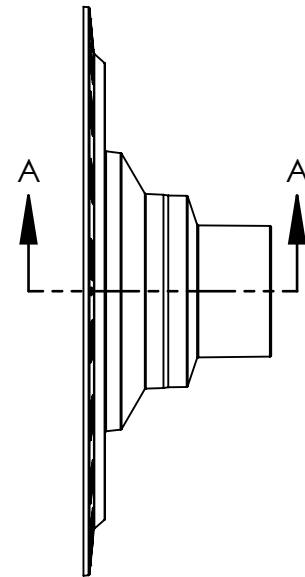
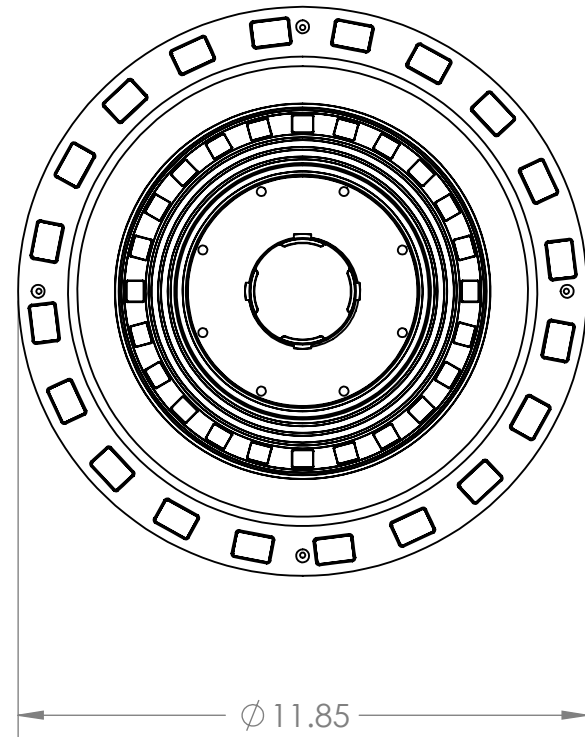
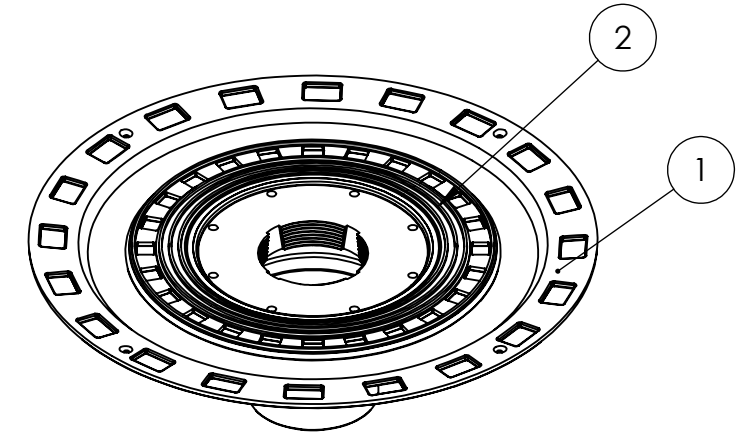
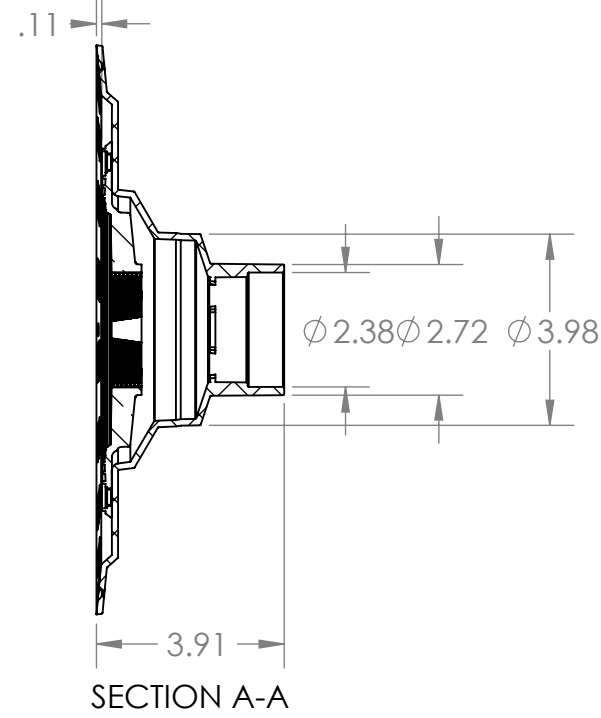
4

3

2

1

REVISIONS				
ZONE	REV.	DESCRIPTION	DATE	APPROVED



ITEM NO.	PART NUMBER	DESCRIPTION	QTY.
1	9247 - BFD	Bonding Flange Drain	1
2	9247 - BF Adj Ring	ADJUSTING RING	1

NOTES:

1. MATERIAL CERTIFICATION AND C OF C REQUIRED ON ALL LOT RUNS, INCLUDING BASE MATERIAL, PIGMENTATION
2. PART TO BE FREE OF PARTICULATE MATTER, PARENT OR FOREIGN, VISIBLE AND EMBEDDED.
3. DRAWING IS FOR INSPECTION PURPOSE ONLY. ALL UNDIMENSIONED FEATURES TO BE HELD  $\pm .010$  WITH RESPECT TO 3D CAD MODEL.
4. ALL K.O. PIN LOCATIONS, GATES AND PARTING LINES TO BE APPROVED BY LATICRETE INTERNATIONAL.
5. ALL CORNERS SHOWN SHARP TO BE R 0.010 MAX.
6. ALL FLASH TO BE HELD TO  $.010$  MAX. GATE VESTIGE TO BE  $.010$  MAX.
7. PARTING LINE MISMATCH  $.005$  MAX.

LATICRETE INTERNATIONAL INC.  
91 AMITY ROAD  
BETHANY CT 06524

**PROPRIETARY AND CONFIDENTIAL**  
THE INFORMATION CONTAINED IN THIS DRAWING IS THE SOLE PROPERTY OF LATICRETE INTERNATIONAL INC. ANY REPRODUCTION IN PART OR AS A WHOLE WITHOUT THE WRITTEN PERMISSION OF LATICRETE INTERNATIONAL INC. IS PROHIBITED.

UNLESS OTHERWISE SPECIFIED:		NAME	DATE	<b>LATICRETE</b>	
DIMENSIONS ARE IN INCHES		DRAWN	VC		TITLE: <b>Adjusting Ring Assembly</b>
TOLERANCES:		CHECKED			
ANGULAR: MACH $\pm 2$ BEND $\pm 5$		ENG APPR.			
TWO PLACE DECIMAL $\pm .010$		MFG APPR.			
THREE PLACE DECIMAL $\pm .005$		Q.A.		SIZE DWG. NO. REV <b>B</b> 9247 - BF Adj RingASM	
INTERPRET GEOMETRIC TOLERANCING PER: ASME Y14.5 - 2009		COMMENTS:			
MATERIAL	SEE PART NOTES			SCALE: 1:4 WEIGHT: SHEET 1 OF 1	
FINISH	SEE PART NOTES				
NEXT ASSY	USED ON				
APPLICATION		DO NOT SCALE DRAWING			

4

3

2

1

B

B

A

A